



Swivel Joints Plug Valves

In October and November of 2006, Best acquired EZ Turn and Quality / Diamond plug valve lines. Best now manufactures at its facility in Houston, Texas a full line of 1" through 3" plug valves from 5,000 PSI through 20,000 PSI both in Standard and H2S Service. These valves can be made in a wide variety of popular end connections including union end, male and female line pipe threaded and flanged end.



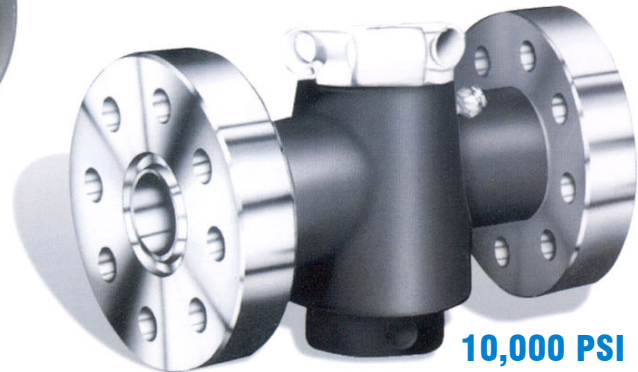
**15,000 PSI
Male Line Pipe
Threaded Valve**



**5,000 PSI
Female Line Pipe
Threaded Valve**



**15,000 PSI
Union End Valve**



**10,000 PSI
Flanged End Valve**

"ISO 9001" CERTIFIED